



**Cuu Long Filter**

Phone: (84) 98-228-3389  
Website: <https://locnuoccuulong.com/>  
Email: [locnuoccuulong@gmail.com](mailto:locnuoccuulong@gmail.com)



**枣强县亚新环保设备有限公司**

Zaoqiang Yaxin Environmental protection Equipment Co.,Ltd

# 公司简介



枣强县亚新环保设备有限公司系中国玻璃钢协会会员单位，是一家高新技术企业。公司成立于2006年，注册资本1060万元，公司地处河北省衡水市南部，京九铁路、大广高速贯穿全境，交通便捷，紧邻衡水湖自然湿地保护区，公司占地约30000平方米。

公司致力于水处理事业，以水处理产品—玻璃钢PE复合压力罐为核心，以新材料/高分子材料/高分子材料的新加工和应用技术为主要技术领域。是河北省重合同、守信用单位。公司年产压力罐50万只。公司的技术、生产、管理和产品研发由多名业内资深专家负责，保障为客户提供合理的配置方案及完善的技术服务；公司同时拥有先进大型全自动中空吹塑机、全自动塔式滚塑机、全自动玻璃钢环氧缠绕机、大型恒温电炉烤箱设备、磨盘磨粉机、检验检测设备等共计282台（套）。

公司以高质量为前提，引进国外先进的生产工艺，确保为用户提供高质量的产品。

公司生产的FRP TANK应用工业锅炉、食品医药、印染化工、热交换机组中央空调、机械制造、冷暖循环水系列等多个水处理领域，产品市场需求旺盛，供不应求。

枣强县亚新环保设备有限公司坚持以科技为先导，通过大胆的市场开拓、创新的资本运作及高效率的资本市场融资，经营业务快速发展，资产规模迅速扩大，竞争优势不断增强，与客户建立了完善的销售好客户服务网络，对客户做出了产品质量的承诺。公司的诚信、实力和产品质量获得业界的认可。

枣强县亚新环保设备有限公司高度重视自身技术创新和研发能力建设，相关技术已经获得1项实用新型专利，16项软件著作权，全部为企业自有技术。公司自成立多年来取得了优异的成绩，是全国4家拥有出口资质的企业之一，获得美国水协会NSF认证和河北省涉及饮用水卫生许可批件，并被评为“河北省专精特新中小企业”，取得《河北省工业企业研发机构证书》（自建B级）；并多次获得企业发展资金及其他奖励。

因为专注，所以专业！亚新人本着合作共赢、互惠互利、长足发展、质量第一、信誉至上的发展理念，公司不懈地追求产品创新和产品质量，力争产品臻于完美，在水处理领域做强做大。上善如水，厚德载物，亚新人愿携手业界同仁及广大有识之士为水处理事业贡献一份力量。

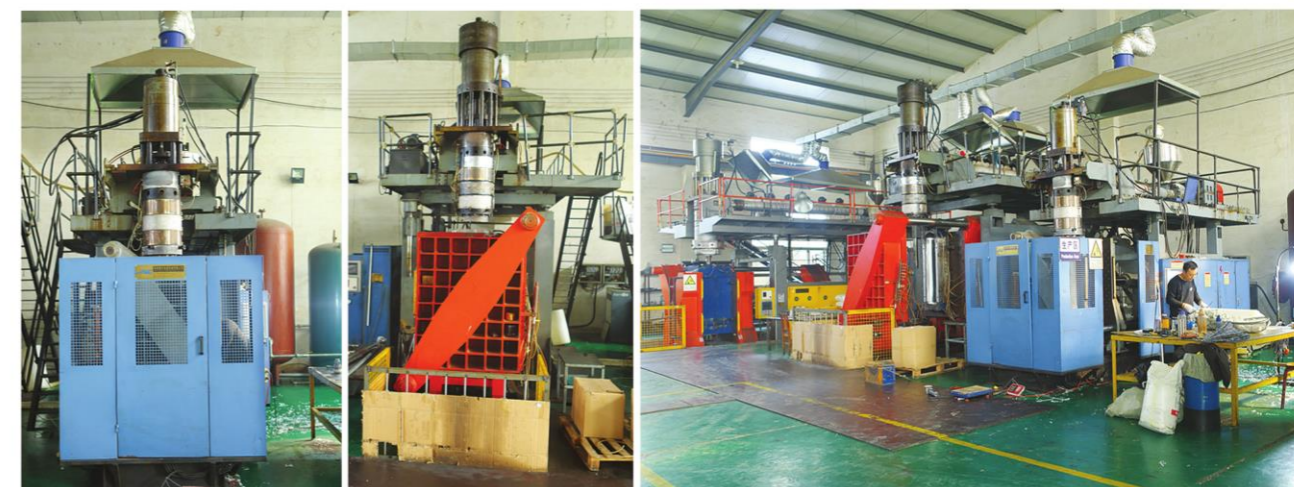
Zaoqiang Yaxin Environmental Protection Equipment Co., Ltd, a high-tech enterprises, is a member of China FRP association. The company was founded in 2006, with a registered capital of 10.6 million yuan, located in southern Hengshui, Hebei Province with Beijing-Kowloon railway, Guangzhou high-speed run through the territory. The transportation is very convenient. The company is close to Hengshui Lake Nature Wetland Reserve with an area of about 30,000 square meters.

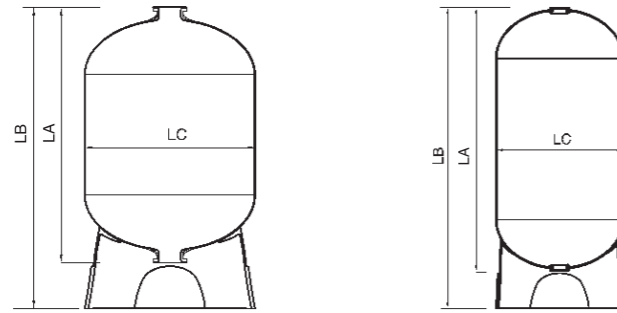
YAXIN is committed to the water treatment industry, with a good reputation, the core product is FRP tank. The main technical field are new materials/polymer materials/polymer materials for new processing and application technology. The company produces 500,000 pressure tanks a year and the technology, production, management and product development are managed by a number of senior experts ensuring to provide all customers a reasonable configuration plan and perfect technical services; At the same time, the company has advanced large-scale automatic blow molding machine, automatic tower-type rotational molding machine, automatic FRP epoxy winding machine, large-scale constant temperature electric oven equipment, grinding mill, inspection and testing equipment a total of 282(sets).

YAXIN takes the high-quality as the premise, with the introduction of the foreign advanced production technology to guarantee to provide high quality product for the user.

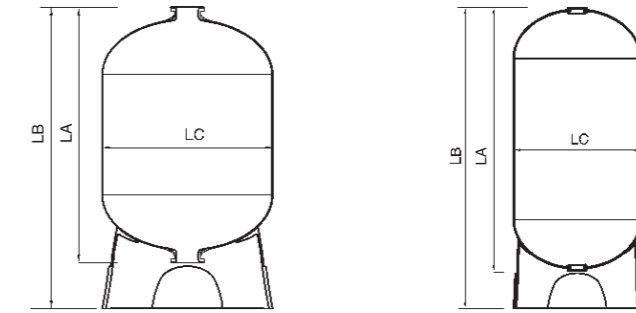
FRP TANK produced by our company applies to industrial boilers, food medicine, printing and dyeing chemicals, heat exchange unit central air conditioning, machinery manufacturing, cold and warm circulating water series and other water treatment areas. The product market demand is strong and in short supply Zaoqiang Yaxin Environmental Protection Equipment Co., Ltd. persists in taking science and technology as the guide, and through bold market development, innovative capital operation and high-efficiency capital market financing, operating business has developed rapidly, and the scale of assets has expanded rapidly, competitive advantages continue to strengthen, a sound sales-customer-service network is established, the commitment of product quality is made to each customer. And the integrity of the company, strength and quality of products are recognized by the water treatment industry.

Zaoqiang Yaxin Environmental Protection Equipment Co., Ltd. attaches great importance to its own technological innovation and R & D Capacity Building, related technologies have been 1 utility model patent, 16 software copyright, all for the enterprise-owned technology. Since its establishment, the company has achieved excellent results. It is one of the four enterprises with export qualification in China. It has obtained the NSF certification of the American Water Association and the approval of sanitary license for drinking water in Hebei Province, and was named "Hebei Province special new small and medium-sized enterprises", obtained "Hebei Province Industrial Enterprise R & D Organization certificate" (self-built b), and many times to obtain enterprise development funds and other awards. Because of concentration, so professional! Based on the concept of win-win cooperation, mutual benefit, long-term development, quality first, reputation first, the company pursues product innovation and product quality, striving for perfect products, to become stronger and bigger in the field of water treatment. Good, such as water, thick moral load material, YAXIN is willing to join hands with colleagues in the industry to contribute a force for the water treatment world.

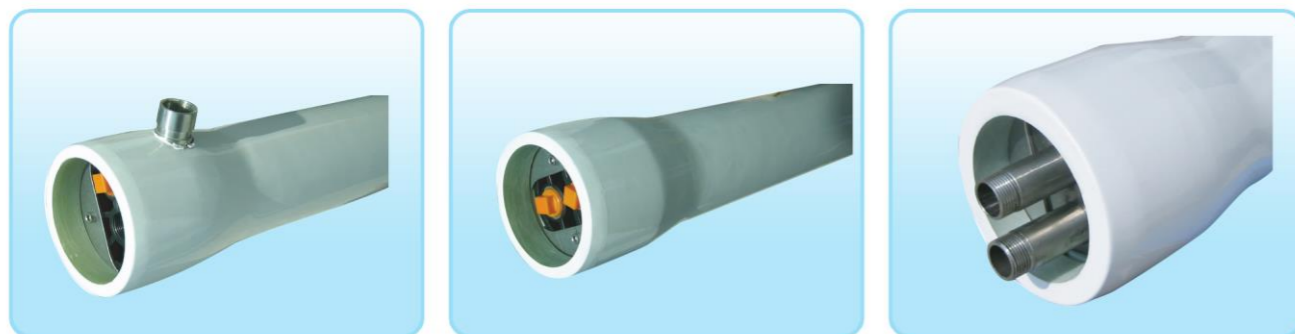




序号 Item No	型号 Model	型号 Model		开口方式 Topening type	罐体尺寸 Vessel size			容积 vol L
		Inch	Millimeter		LA	LB	LC	
		1	613/2.5T		6×13	150×334	2.5"Top	
2	617/2.5T	6×17	150×436	436	431	152		6.7
3	635/2.5T	6×35	150×896	896	891	152		15
4	713/2.5T	7×13	175×333	333	321	175		6.3
5	717/2.5T	7×17	175×434	434	421	175		8.6
6	735/2.5T	7×35	175×891	891	878	175		20.1
7	813/2.5T	8×13	200×338	338	322	200		8.5
8	817/2.5T	8×17	200×439	439	425	200		10.9
9	819/2.5T	8×19	200×490	490	474	200		12.6
10	835/2.5T	8×35	200×898	898	884	200		25
11	844/2.5T	8×44	200×1130	1130	1114	200		32.6
12	917/2.5T	9×17	225×456	456	432	226		13.8
13	935/2.5T	9×35	225×900	900	879	226		32.1
14	942/2.5T	9×42	225×1076	1076	1052	226		38.4
15	948/2.5T	9×48	225×1227	1227	1204	226		44.3
16	1015/2.5T	10×15	250×399	399	387	250		14.3
17	1017/2.5T	10×17	250×445	445	430	250		16.7
18	1035/2.5T	10×35	250×902	902	884	250		39.4
19	1044/2.5T	10×44	250×1132	1132	1110	250		51
20	1054/2.5T、4T	10×54	250×1391	2.5"Top、4"Top	1391	1375		250
21	1248/2.5T、2.5T2.5B	12×48	300×1233	2.5"Top 2.5"Top 4Bottom	1233	1205	300	78.9
22	1252/2.5T、2.5T2.5B	12×52	300×1333		1333	1305	300	85.9
23	1265/2.5T、2.5T2.5B	12×65	300×1663		1663	1635	300	109.1
24	1344/2.5T、2.5T2.5B	13×44	325×1118		1118	1109	326	83.1
25	1354/2.5T、2.5T2.5B	13×54	325×1376		1376	1367	326	104.3
26	1344/4T	13×44	325×1118	4"Top	1118	1109	326	83.1
27	1354/4T	13×54	326×1376		1376	1367	326	104.3
28	1447/2.5T、4T	14×47	350×1195	2.5"Top/ 4"Top 4"Top 4Bottom	1195	1181	350	103
29	1452/2.5T、4T	14×52	350×1325		1325	1311	350	115.4
30	1465/2.5T、4T	14×65	350×1655		1655	1641	350	147
31	1465/4T4B	14×65	350×1865		1865	1641	350	147
32	1652/2.5T、4T	16×52	400×1316		1316	1308	400	150
33	1665/2.5T、4T	16×65	400×1648		1648	1638	400	191.3
34	1665/4T4B	16×65	400×1850		1850	1638	400	191.3
35	1865/2.5T、4T	18×65	450×1648		1648	1638	450	228.4
36	1865/4T4B	18×65	450×1805	1805	1580	450	228.4	



序号 Item No	型号 Model	型号 Model		开口方式 Topening type	罐体尺寸 Vessel size			容积 vol L
		Inch	Millimeter		LA	LB	LC	
		1	2069-4T		20×69	Φ500×1770	4"Top	
2	2162-4T	21×62	Φ530×1760	1590	1760	530		309
3	2472-4T	24×72	Φ600×1920	1700	1920	600		428
4	3072-4T	30×72	Φ750×1930	1720	1930	750		621
5	2069-4T4B	20×69	Φ500×1770	1600	1770	500		283
6	2072-4T4B	20×72	Φ500×1910	1720	1910	500		316
7	2162-4T4B	21×62	Φ530×1760	1590	1760	530		310
8	2472-4T4B	24×72	Φ600×1920	1700	1920	600		428
9	3072-4T4B	30×72	Φ750×1930	1720	1930	750		621
10	3074-4T4B	30×74	Φ750×2000	1780	2000	750		760
11	3660-4T4B	36×60	Φ920×1890	4"Top 4"Bottom	1510	1890	920	770
12	3672-4T4B	36×72	Φ920×2120		1760	2120	920	1070
13	4072-4T4B	40×72	Φ1000×2170		1820	2170	1000	1216
14	4060-6T6B	40×60	Φ1000×1850		1500	1850	1000	966
15	4072-6T6B	40×72	Φ1000×2210		1925	2210	1000	1216
16	4272-6T6B	42×72	Φ1100×2240		1950	2240	1100	1480
17	4296-6T6B	42×96	Φ1100×2650		2375	2650	1100	1880
18	4872-6T6B	48×72	Φ1200×2130		1860	2130	1200	1890
19	4896-6T6B	48×96	Φ1200×2350		2080	2350	1200	2480
20	6072-6T6B	60×72	Φ1500×2250		1960	2250	1500	3080
21	6086-6T6B	60×86	Φ1500×2490		2200	2490	1500	2650
22	6367-6T6B	63×67	Φ1600×2000		1700	2000	1600	2560
23	6386-6T6B	63×86	Φ1600×2420	2120	2420	1600	3300	
24	7294-6T6B	72×94	Φ1800×2500	2200	2500	1800	4650	
25	72110-6T6B	72×110	Φ1800×2800	2500	2800	1800	5300	
26	7894-6T6B	78×94	Φ2000×2500	2200	2500	2000	5200	
27	78110-6T6B	78×110	Φ2000×2800	2500	2800	2000	6100	
28	3672-4T4B4D	36×72	Φ920×2120	4"Top 4"Bottom 4"Screw discharge	1760	2120	920	1070
29	4072-4T4B4D	40×72	Φ1000×2170		1790	2170	1000	1216
30	4072-6T6B4D	40×72	Φ1000×1820	6"Top 6"Bottom 4"Screw discharge	1925	1820	1000	1216
31	4272-6T6B4D	42×72	Φ1100×2240		1950	2240	1100	1480
32	4296-6T6B4D	42×96	Φ1100×2650		2375	2650	1100	1880
33	4872-6T6B4D	48×72	Φ1200×2130		1860	2130	1200	1890
34	4896-6T6B4D	48×96	Φ1200×2350	2080	2350	1200	2480	
35	6072-6T6B4D	60×72	Φ1500×2250	6"Top 6"Bottom 4"Flang discharge	1960	2250	1500	3080
36	6086-6T6B4D	60×86	Φ1500×2490		2200	2490	1500	2650
37	6367-6T6B4D	63×67	Φ1600×2000		1700	2000	1600	2560
38	6386-6T6B4D	63×86	Φ1600×2420		2120	2420	1600	3300
39	7294-6T6B6D	72×94	Φ1800×2500	6"Top 6"Bottom 6"Flang discharge	2200	2500	1800	4650
40	72110-6T6B6D	72×110	Φ1800×2800		2500	2800	1800	5300
41	7894-6T6B6D	78×94	Φ2000×2500		2200	2500	2000	5200
42	78110-6T6B6D	78×110	Φ2000×2800		2500	2800	2000	6100



4040-1-4侧联  
4040-1-4 side

4040-1-4端联  
4040-1-4 end port

4040-1-4(海水)  
4040-1-4 sea water



8040-1-7 (海水)  
8040-1-7sea water

8040-1-7侧联  
8040-1-7 side

8040-1-7端联  
8040-1-7 end port



5芯20寸 20" \* 5 Elements  
5芯40寸 40" \* 5 Elements  
15芯40寸 40" \* 15 Elements

**精密过滤器安装说明:** Installation Instruction of Filter Housing

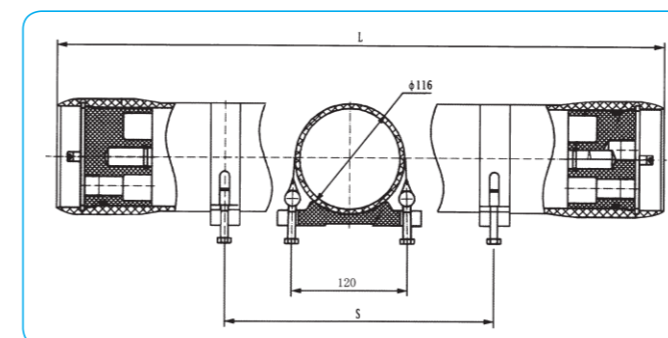
- 1、在罐体内拧上拉杆
- 2、装上滤芯，盖上滤芯盖
- 3、拧上拉杆螺母
- 4、套上封盖密封圈，盖上封盖，注意封盖螺丝拧在封盖上的定位上
- 5、拧上压力表(或根据需要拧上排气阀)
- 6、再拧上上下面的进出水口外丝，联上进出口即可  
(由于内有防水垫片，外丝上请不要缠生料带以免把丝口拧裂)

- 1、assemble the bars in the tank
- 2、assemble cartridge, close the cartridge cap
- 3、screw the bar nut well
- 4、put the seal ring, close the cap
- 5、assemble the pressure gauge
- 6、assemble the screw on the inlet and outlet, connect the inlet and outlet there is waterproof gasket in it, so PTFE tap no need.

**注意事项:** Attention:

- 1、由于上下盖为塑料制品，压力不能高于额定压力
- 2、由于油漆制所以不通过水温不能太低以免漆面起泡（尤其是夏天温差不能太大以防表面结水）
- 3、拧上两边进水口外丝时，切记用过猛，把进出口拧开
- 4、如果表面油漆损坏，可用汽车自喷漆修补
- 5、损坏面积如果太大请联系生产厂家
- 1、the top and bottom caps are made of plastic, please don't exceed the rated pressure.
- 2、it is covered by paint, so the water temperature can't be too low in case of getting bubble on the paint
- 3、crew the two inlet, don't over exertion.
- 4、if the paint damaged, you could use the car auto painting to amend it.
- 5、if the damaged area is large, please contact the manufacturer.

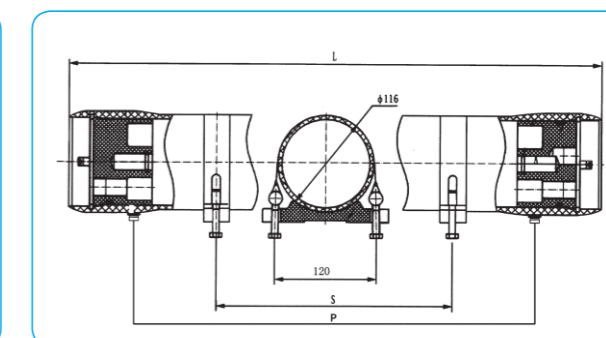
**4"端联式安装示意图** installation Diagram of 4 inch end port



工作压力 working pressure	节数 Elements	L	S	P
300 PSI	1	1180	610	1050
	2	2180	1350	2070
	3	3180	1960	3080
	4	4200	1580*2	4100

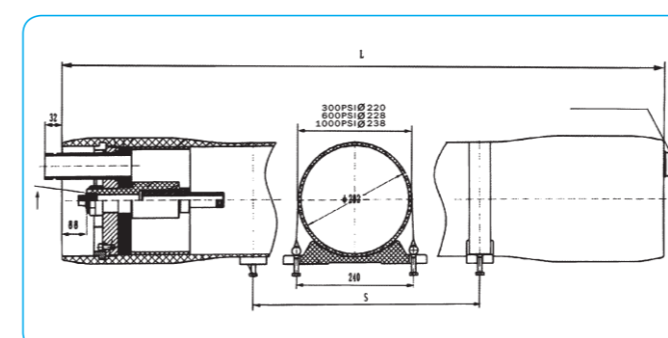
注：4"端联式膜管主要尺寸无p Remarks: 4" end port one without P

**4"侧联式安装示意图** installation Diagram of 4 inch side port



工作压力 working pressure	节数 Elements	L	S	P
1000 PSI	1	1270	610	1050
	2	2300	1350	2070
	3	3300	1960	3080
	4	4320	1580*2	4100

**8"端联式安装示意图** installation Diagram of 8 inch end port



工作压力 working pressure	节数 Elements	L	S	P
300 PSI	1	1520	1180	750
	2	2550	2200	1460
	3	3560	3200	2070
	4	4590	4250	1650*2
	5	5600	5255	2000*2
	6	6610	6260	2300*2
	7	7620	7260	2000*3

工作压力 working pressure	节数 Elements	L	S	P
600 PSI	1	1520	1180	750
	2	2550	2200	1460
	3	3560	3210	2070
	4	4590	4250	1650*2
	5	5600	5255	2000*2
	6	6610	6260	2300*2
	7	7620	7260	2000*3

工作压力 working pressure	节数 Elements	L	S	P
1000 PSI	1	1560	1180	750
	2	2590	2200	1460
	3	3600	3210	2070
	4	4630	4250	1650*2
	5	5640	5255	2000*2
	6	6650	6260	2300*2
	7	7660	7260	2000*3

注：8"端联式膜管主要尺寸无p Remarks: 8" end port one without P



## 枣强县亚新环保设备有限公司

Zaoqiang Yaxin Environmental protection Equipment Co.,Ltd

地址：枣强县门庄开发区创业南路28号

电话：0318-7131696

传真：0318-8239532

网址：[www.hebyaxin.com](http://www.hebyaxin.com)